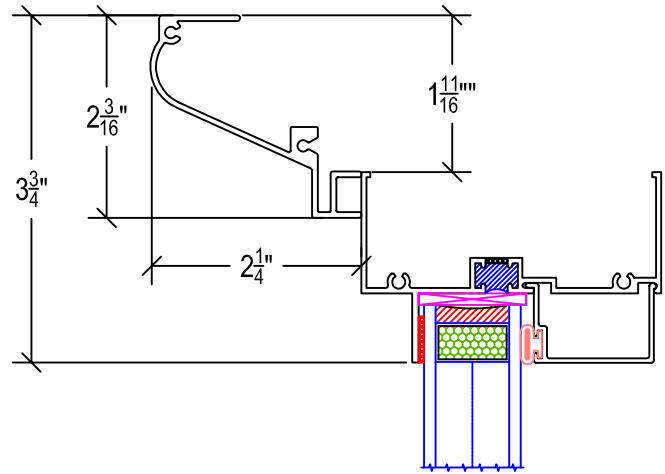
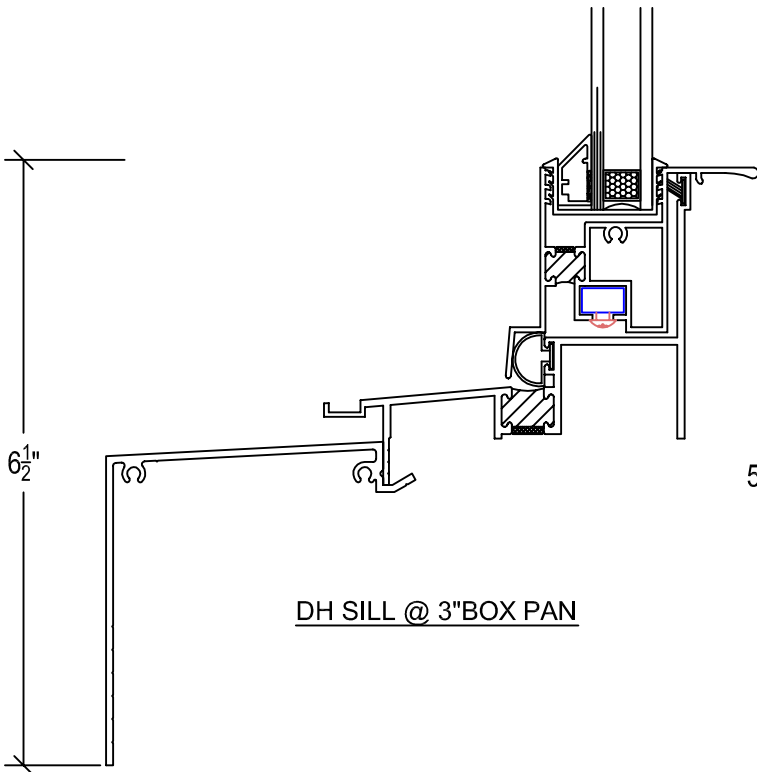


DH HEAD @ COLONIAL PAN

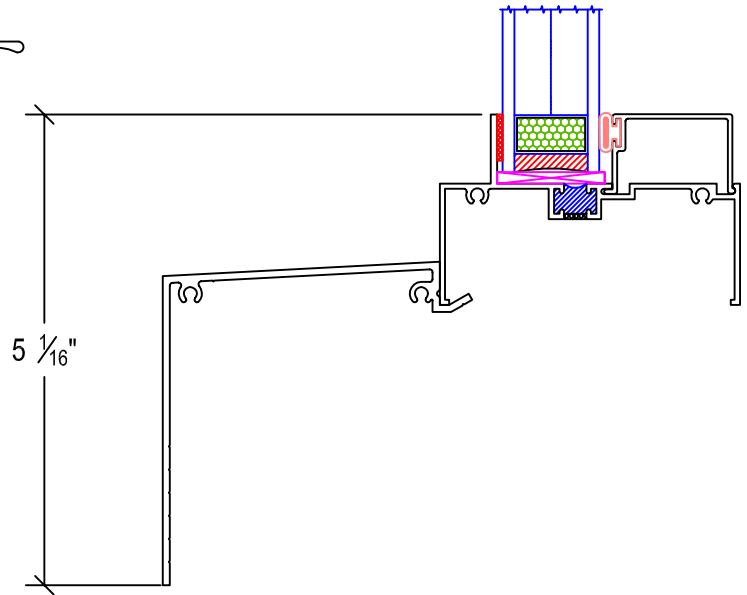


FXD HEAD @ COLONIAL PAN

DIMENSIONS SHOWN ARE TYPICAL FOR THIS PROFILE
DIMENSIONS WILL VARY WITH OTHER PROFILES



DH SILL @ 3"BOX PAN



FXD SILL @ 3"BOX PAN

OTHER PAN PROFILES ARE AVAILABLE, CUSTOM SHAPES CAN BE
MADE TO YOUR PROJECT SPECIFICATIONS CALL US FOR INFORMATION



**UNIVERSAL WINDOW
AND DOOR, LLC.**

303 Mechanic Street
 Marlborough, MA 01752
 800-633-0108 508-481-2850
 www.universalwindow.com

UNIVERSAL WINDOW & DOOR
400 DH. & FXD w/ COLONIAL PANNING

DATE: 12-31-10

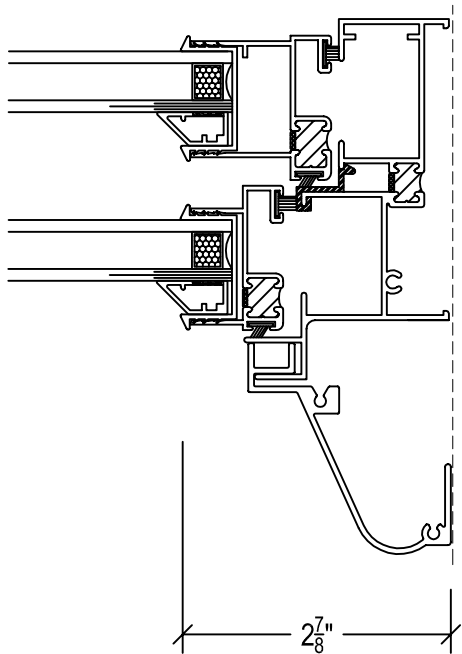
DWG. NO. UNI-400-0014

REV:

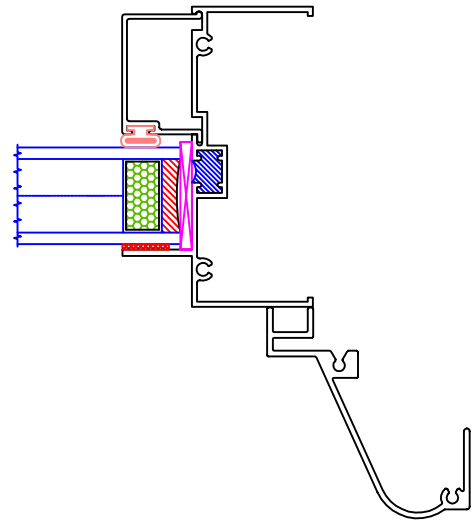
SCALE: NTS

SHEET:

DRAWING FOR FAMILIARIZATION
 ONLY, ACTUAL DETAIL MAY VARY



DH JAMB @ 3"BOX PAN



FXD JAMB @ 3"BOX PAN

OTHER PAN PROFILES ARE AVAILABLE, CUSTOM SHAPES CAN BE
MADE TO YOUR PROJECT SPECIFICATIONS CALL US FOR INFORMATION



UNIVERSAL WINDOW AND DOOR, LLC.

303 Mechanic Street
Marlborough, MA 01752
800-633-0108 508-481-2850
www.universalwindow.com

UNIVERSAL WINDOW & DOOR
400 DH. & FXD w/ COLONIAL PANNING

DATE: 12-31-10	DWG. NO. UNI-400-0014	REV:
SCALE: NTS	SHEET:	DRAWING FOR FAMILIARIZATION ONLY, ACTUAL DETAIL MAY VARY