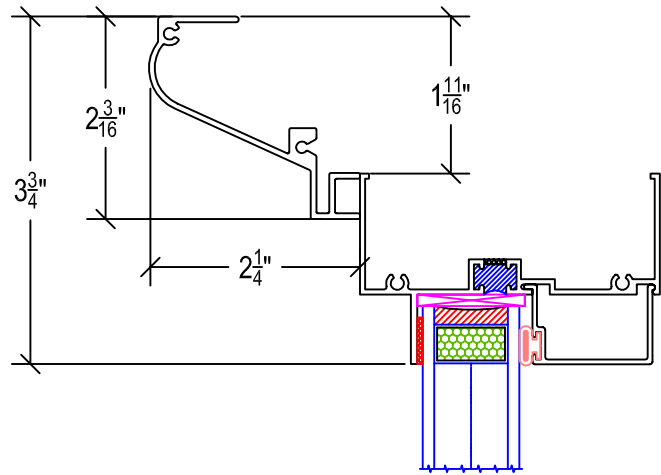
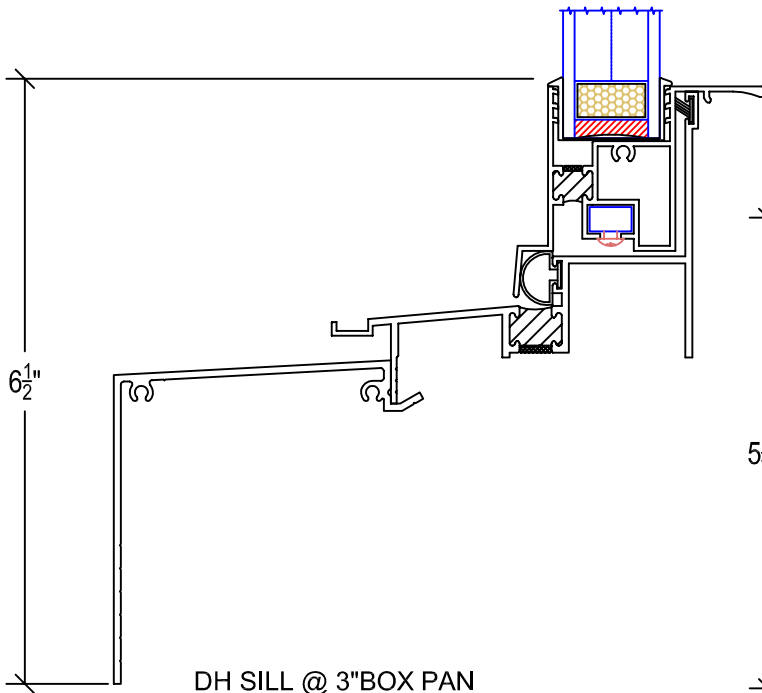


DH HEAD @ COLONIAL PAN

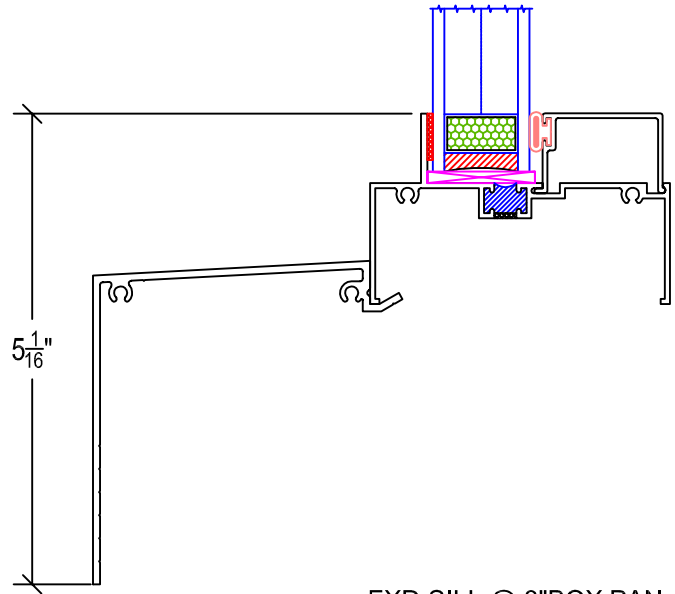


FXD HEAD @ COLONIAL PAN

DIMENSIONS SHOWN ARE TYPICAL FOR THIS PROFILE
DIMENSIONS WILL VARY WITH OTHER PROFILES



DH SILL @ 3"BOX PAN



FXD SILL @ 3"BOX PAN

OTHER PAN PROFILES ARE AVAILABLE, CUSTOM SHAPES CAN BE
MADE TO YOUR PROJECT SPECIFICATIONS CALL US FOR INFORMATION

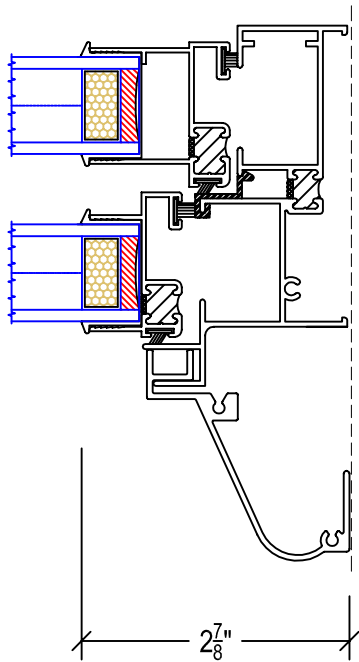


**UNIVERSAL WINDOW
AND DOOR, LLC.**

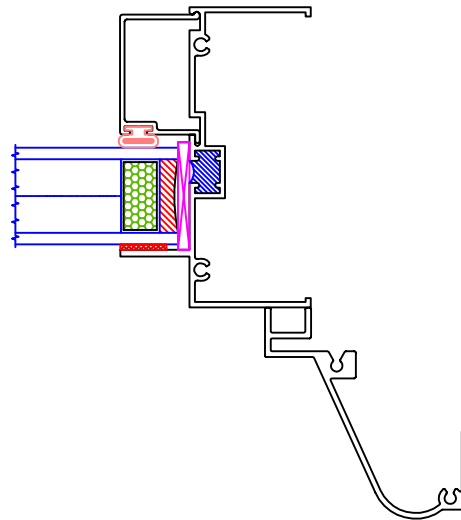
303 Mechanic Street
 Marlborough, MA 01752
 800-633-0108 508-481-2850
 www.universalwindow.com

UNIVERSAL WINDOW & DOOR
400 DH. & FXD w/ COLONIAL PANNING

DATE:	12-31-10	DWG. NO.	UNI-400-0007	REV:
SCALE:	NTS	SHEET:	DRAWING FOR FAMILIARIZATION ONLY, ACTUAL DETAIL MAY VARY	



DH JAMB @ 3"BOX PAN



FXD JAMB @ 3"BOX PAN

OTHER PAN PROFILES ARE AVAILABLE, CUSTOM SHAPES CAN BE
MADE TO YOUR PROJECT SPECIFICATIONS CALL US FOR INFORMATION



**UNIVERSAL WINDOW
AND DOOR, LLC.**

303 Mechanic Street
Marlborough, MA 01752
800-633-0108 508-481-2850
www.universalwindow.com

**UNIVERSAL WINDOW & DOOR
400 DH. & FXD w/ COLONIAL PANNING**

DATE: 12-31-10	DWG. NO. UNI-400-0007	REV:
SCALE: NTS	SHEET:	DRAWING FOR FAMILIARIZATION ONLY, ACTUAL DETAIL MAY VARY